



Simply Engineered Better

DF

Rotary Type Fully Automatic Glasswashing Machine



(Optional DF71 drain tray and waste collector is available but not shown)

Project _____
 Item No. _____
 Quantity _____

STANDARD FEATURES

- 12" glass clearance accepts taller stemware
- Internal upper drain screen for improved filtration and ease of cleaning
- Self flushing rinse chamber reduces maintenance
- Reduced water usage
- Improved shut off mechanism
- Three-pump injection system for precise chemical dispensing
- Upper and lower wash and rinse arms produce sparkling clean glasses every time
- Double walled construction for quieter operation
- Cool final rinse water provides a cool glass ready for immediate use
- An internal shelf provides storage for three, 1-gallon (4 liter) containers
- Polypropylene conveyor eliminates chipping of fine stemware
- Internal rinse water tempering valve

SPECIFIER STATEMENT

Specified unit will be Moyer Diebel model DF Rotary Type, fully automatic glasswasher.

Unit will have detergent pump, sanitizer pump and rinse aid pump, standard upper and lower wash/rinse arms, wash tank heater, cold water final rinse, polypropylene conveyor, splash curtain, double-walled construction, storage space for three 1-gallon containers.



OPTIONS & ACCESSORIES

- | | |
|--|-------------|
| <input type="checkbox"/> Drain tray and waste collector (DF-71) | P/N 0712551 |
| <input type="checkbox"/> Quick disconnect package (incl. casters) | P/N 0707258 |
| <input type="checkbox"/> Casters; set of four – 2 locking, 2 regular | P/N 0701962 |
| <input type="checkbox"/> Hand sink and wet waste receiver (SW46) | P/N 0708453 |
| <input type="checkbox"/> Wash down hose | P/N 0701956 |
| <input type="checkbox"/> Site Glass kit | P/N 0712993 |

MD005 Printed in U.S.A.

Moyer Diebel – USA
 3765 Champion Blvd, Winston-Salem, NC 27105 Tel: 336/661-1992 Fax: 336/661-9546 800/228-8350 www.moyerdiebel.com

Moyer Diebel Ltd. – Canada
 2674 North Service Rd., Jordan Station, Ontario, Canada L0R 1S0 Tel: 800/263-5798 Fax: 905/562-4618 sales@moyerdiebellimited.com

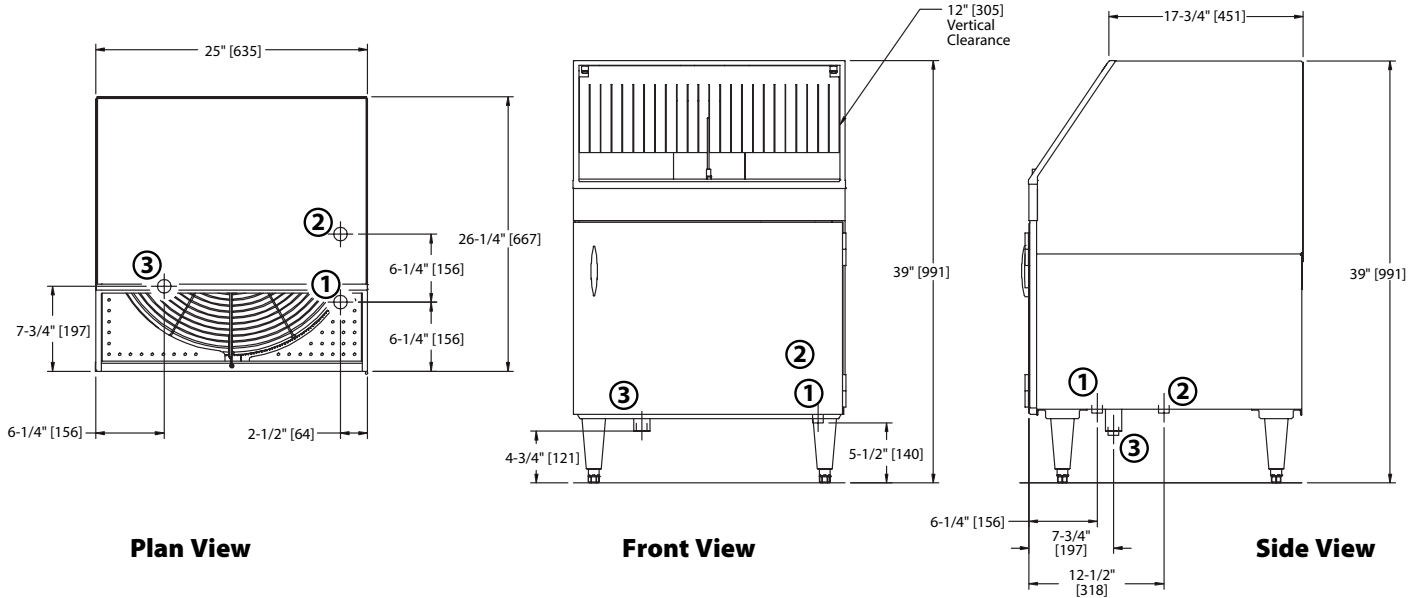


Simply Engineered Better

DF

Rotary Type Fully Automatic
Glasswashing Machine

Dimensions shown in inches and [millimeters]



Utilities	
	Electrical 208 - 230/60/1, 15 amp
1	Hot water connection 1/2" [13] IPS. Flow pressure 25-95 psi [172.5-656 kPa]
2	Cold water connection 1/2" [13] IPS. Flow pressure 25-95 psi [172.5-656 kPa]
3	Drain connection 1-1/2" [38] tailpiece. Connect to drain size according to local plumbing code.

NOTE: DF Models supplied with 6 ft. [1829] plug in cord. (NEMA 6-15P)

Warning: Plumbing and electrical connections must be made by qualified personnel who will observe all the applicable plumbing, sanitary and safety codes.

Due to an ongoing value analysis program at Moyer Diebel, specifications in this catalog are subject to change without notice.

	Uncrated	Crated
Height	39" [991]	46-1/2" [1181]
Width	25" [635]	27" [685]
Depth	27" [686]	27-1/2" [698]
Ship Wt. lbs/kg	156/71	176/80
* Adjustable foot height - 11/4" [45]		

SPECIFICATIONS

Capacity (hr.)	2-1/2" [64] glasses	1200
Water Consumption	Cold water (approx.)	2.5 US gpm; 9.5 l/m; 2.1 imp. gpm
	Hot water (initial fill)	3 US gallons; 11.35 liters; 2.4 imp gallons
	(Max use – approx. 12 US gph – 10 imp gph)	
Temperatures °F/C	Inlet water (hot)	140-160/61-69
	Inlet water (cold)	75/24
Heating	Tank heat, electric (kW)	3
Conveyor Movement		Clockwise

Moyer Diebel – USA
 3765 Champion Blvd., NC 27105
 336/661-1979 • Fax: 336/661-1979

Moyer Diebel – Canada
 2674 N. Service Rd, Jordan Station, Ontario, Canada L0R 1S0
 800/263-5798 • Fax: 905/562-5422

ChampionIndustries.com/canada • sales@moyerdiebellimited.com

(1M) 5/17

an Ali Group Company



The Spirit of Excellence