

## TECHNICAL DATA SHEET FOR E32D5 ON THE SK32 STAND

### Full Size Digital / Electric Convection Oven on a Stainless Steel Stand

#### STANDARD FEATURES

- 5 full size sheet pan capacity
- 3½" / 85mm tray spacing
- Compact 28⅞" / 735mm width
- Digital display Time and Temperature Controls
- Large easy view ¾" / 20mm high displays
- Electronic thermostat control
- Electronic timer with countdown or time count modes
- Programmable for up to 20 programs
- Water Injection mode
- High performance bi-directional reversing fan system
- ¼ H.P. 300W bi-directional fan motor
- 6.3kW heating (220-240V) / 5.6kW heating (208V)
- Safe-Touch vented side hinged door (standard LH hinge). Optional RH hinge (field convertible)
- Stay-Cool door handle
- Porcelain enameled oven chamber
- Plug-in continuous oven door seal
- Dual halogen oven lamps
- Anti-skid 2" / 50mm dia. 3" / 76mm high adjustable stainless steel feet
- 5 oven wire racks supplied
- 100% recyclable packaging

#### ACCESSORIES

- Turbofan SK32 Oven Stand



#### E32D5

Unit shall be a Blue Seal electrically heated Turbofan convection oven E.T.L. listed and NSF-4 listed. The oven shall have a one piece porcelain enameled oven chamber, stainless top and sides and safe touch vented easy clean side hinged door that offers field reversible hinging. Oven shall have capacity for five full size sheet pans. The oven shall be controlled by an electronic control having separate digital displays and adjusting knobs for time and temperature functions. The oven control shall allow both manual and programmed operating modes and have separate control keys for water injection, oven light function and timer operation. The unit shall include dual halogen oven lamps. Oven shall be able to be bench mounted on 3" / 76mm feet or mounted on oven stand model SK32. Unit shall be supplied in 100% recyclable shipping packaging.

#### SK32

Unit shall be a Blue Seal Turbofan stainless steel oven stand NSF-4 listed. The stand shall be constructed from stainless steel tube with castors, with front castors having dual swivel and wheel locks. It shall be fitted with 6 tray runners suitable for up to 12 half size sheet pans or 6 full size sheet pans. The stand shall be fully compatible with, and support, Turbofan Convection Oven models E32D and G32D. Unit shall be supplied in 100% recyclable shipping packaging.

### E32D5 Full Size Digital / Electric Convection Oven on a Stainless Steel Stand

#### CONSTRUCTION

Porcelain enameled fully welded oven chamber  
 Stainless steel front, sides and top exterior  
 Stainless steel oven fan baffle and oven vent  
 Removable 5 position stainless steel side racks  
 Oven racks chrome plated wire (5 supplied)  
 Stainless steel frame side hinged door  
 0.2" / 5mm thick door outer glass  
 0.2" / 5mm thick low energy loss door inner glass  
 Full stainless steel welded door handle  
 Stainless steel control panel  
 Aluminized coated steel base and rear panels

#### CONTROLS

Electronic controls with Digital Time and Temperature display, Manual or Program modes  
 Large ¾" / 20mm high LED displays  
 Two individual time and temperature setting control knobs  
 6 function keys  
 ON/OFF key  
 Oven Lamp key (toggle or auto-time off mode settings)  
 Timer Start/Stop key  
 Water Injection key (manual shot or timed shot mode settings)  
 Programs select key  
 Actual temperature display key  
 Adjustable buzzer/alarm volume  
 Thermostat range 150-500°F / 50-260°C  
 Timer range from 180 minutes in countdown mode  
 Timer range up to 999 minutes in time count mode for holding, slow cooking  
 Over-temperature safety cut-out

#### CLEANING

Stainless steel top and side exterior panels  
 Porcelain enameled oven chamber  
 Fully removable stainless steel oven side racks  
 Removable stainless steel oven fan baffle  
 Easy clean door system with hinge out door inner glass (no tools required)  
 Removable plug-in oven door seal (no tools required)  
 3" / 76mm high stainless steel feet for easy access underside

#### SPECIFICATIONS

Electrical Requirements  
 208V, 60Hz, 1-phase, 5.8kW, 28A  
 220-240V, 60Hz, 1-phase, 6.5W, 27A  
 No cordset supplied

#### Water Requirements (optional)

Cold water connection ¾" GHT male  
 80psi maximum inlet pressure / 20psi minimum inlet pressure

#### External Dimensions

Width 28<sup>7</sup>/<sub>8</sub>" / 735mm  
 Height 28<sup>3</sup>/<sub>4</sub>" / 730mm including 3" / 76mm feet  
 Depth 31<sup>7</sup>/<sub>8</sub>" / 810mm

#### Oven Internal Dimensions

Width 18<sup>1</sup>/<sub>4</sub>" / 465mm  
 Height 20<sup>1</sup>/<sub>4</sub>" / 515mm  
 Depth 27<sup>1</sup>/<sub>2</sub>" / 700mm  
 Volume 6ft<sup>3</sup> / 0.17m<sup>3</sup>

#### Oven Rack Dimensions

Width 18" / 460mm  
 Depth 26" / 660mm

#### Nett Weight (E32D5)

196lbs / 89kg

#### Packing Data (E32D5)

231lbs / 105kg  
 20.1ft<sup>3</sup> / 0.57m<sup>3</sup>  
 Width 29<sup>7</sup>/<sub>8</sub>" / 760mm  
 Height 32" / 815mm  
 Depth 36<sup>3</sup>/<sub>8</sub>" / 925mm

### SK32 Stainless Steel Stand

All stainless steel welded frame oven stand for Turbofan E32D and G32D Series ovens  
 6 position tray runners standard  
 3" / 76mm diameter wheel swivel castors standard with 2 front castors with dual swivel and wheel  
 Welded 1½" and 1¼" square tube front and rear frames  
 Welded rack supports/side frames  
 4 dia. 3" / 76mm swivel castors with 2 front castors dual wheel and swivel lock  
 Top frame oven supports suit Turbofan E32D and G32D Series oven mounting  
 Supplied CKD for assembly on site

#### External Dimensions (SK32 Oven Stand)

Width 28<sup>7</sup>/<sub>8</sub>" / 735mm  
 Height 34<sup>5</sup>/<sub>8</sub>" / 880mm  
 Depth 25<sup>5</sup>/<sub>8</sub>" / 650mm

#### Nett Weight (SK32 Oven Stand)

40lbs / 18.5kg

#### Packing Data (SK32 Oven Stand)

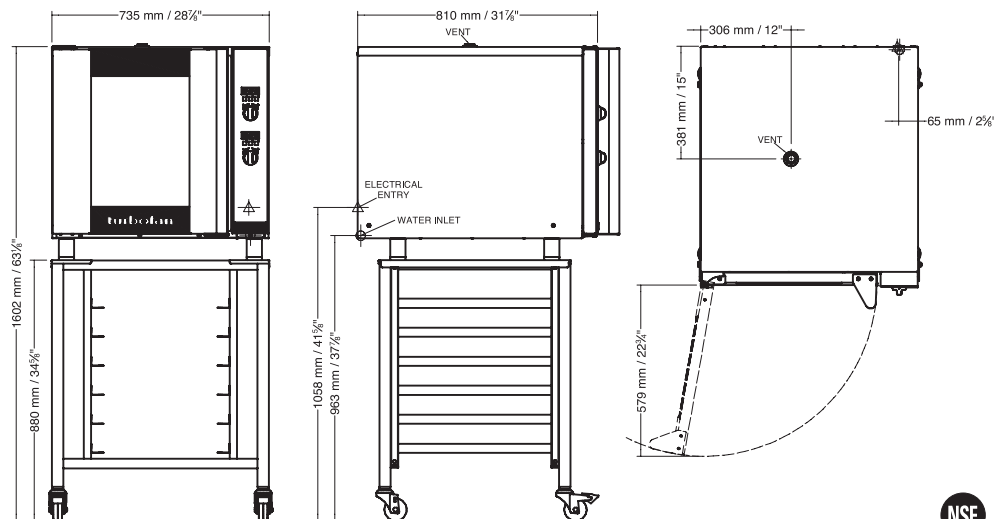
51lbs / 23kg  
 3.5ft<sup>3</sup> / 0.1m<sup>3</sup>  
 Width 32<sup>5</sup>/<sub>8</sub>" / 830mm  
 Height 35<sup>1</sup>/<sub>2</sub>" / 900mm  
 Depth 6" / 152mm

### BLUE SEAL®

www.moffat.com  
 www.turbofanoven.com  
 www.servecanada.com

#### CANADA

Serve Canada  
 22 Ashwarren Road  
 Downview  
 Ontario M3J 1Z5  
 Ph Toll Free 800-263-1455  
 Ph 416-631-0601  
 Fax 416-631-7687  
 Email info@servecanada.com



Manufactured by:  
 Moffat Limited  
 16 Osborne Street PO Box 10-001  
 Christchurch 8081 New Zealand



Designed and manufactured by  
**MOFFAT**

ISO9001  
 All Turbofan products are designed and manufactured by Moffat using the internationally recognised ISO9001 quality management system, covering design, manufacture and final inspection, ensuring consistent high quality at all times.

In line with policy to continually develop and improve its products, Moffat Limited reserves the right to change specifications and design without notice.

© Copyright Moffat Ltd  
 Moffat 6.10

