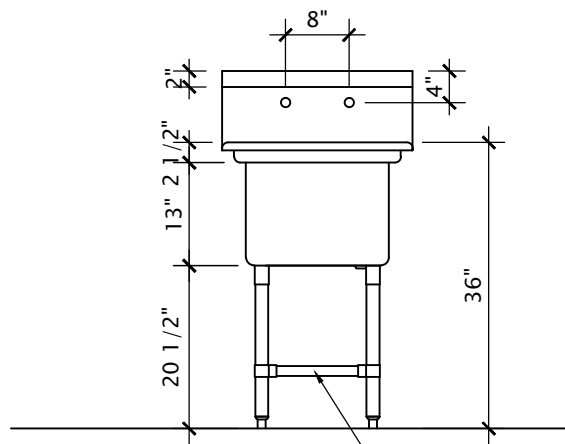
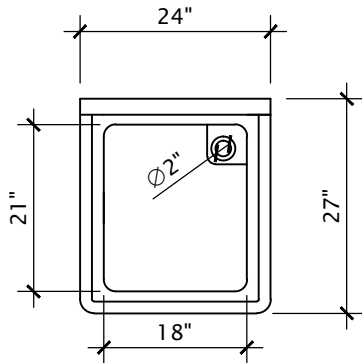


Item No: \_\_\_\_\_

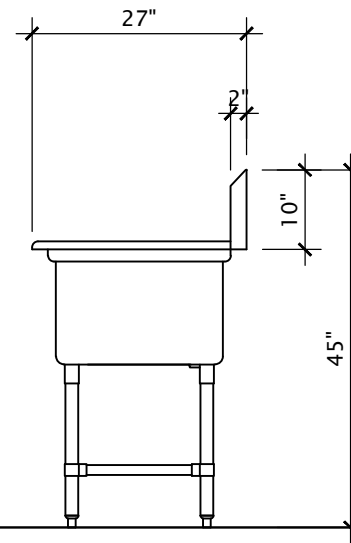
Model No: \_\_\_\_\_

Qty: \_\_\_\_\_

Project: \_\_\_\_\_



3 Sided Leg Brace



### **CORNER Drain Sinks**

- Heavy duty stainless steel construction
- 13" deep bowls
- "All-Covered" corner construction
- 1.5 inch diameter radius bullnose
- Overflow tube and drain included
- 4 inch x 4 inch x 8 inch high perforated drain guard assembly included
- Galvanized legs, 1 5/8" in diameter
- 3 sided leg brace included
- Adjustable bullet feet
- Faucet holes on 8 inch centres (faucets not included)
- 1 1/2" Drain
- Shipped knock down
- Fully welded available if required

**CDS1-18**



C US  
U.P. Code

ASME A112.19.3/CSA B45.4

Sizes nominal, subject to change without notice.



Corporate Head Office  
2780 Coventry Road,  
Oakville, Ontario, L6H 6R1  
Phone: 905-825-9665  
Fax: 905-825-0965  
info@tarrison.com  
www.tarrison.com

US Distribution Center  
150 Gratiot Blvd,  
Marysville, MI 48040  
info@tarrison.com  
www.tarrison.com

US Sales Office  
29 Craftsbury Crest,  
Essex Junction, VT. 05452  
Phone: 802-872-9292  
info@tarrison.com  
www.tarrison.com